

RXL PUMP RANGE

- RX back suction horizontal pump
- Medium flow and high head
- 70% efficiency
- Connects to three pumps in a series
- Built for extended life

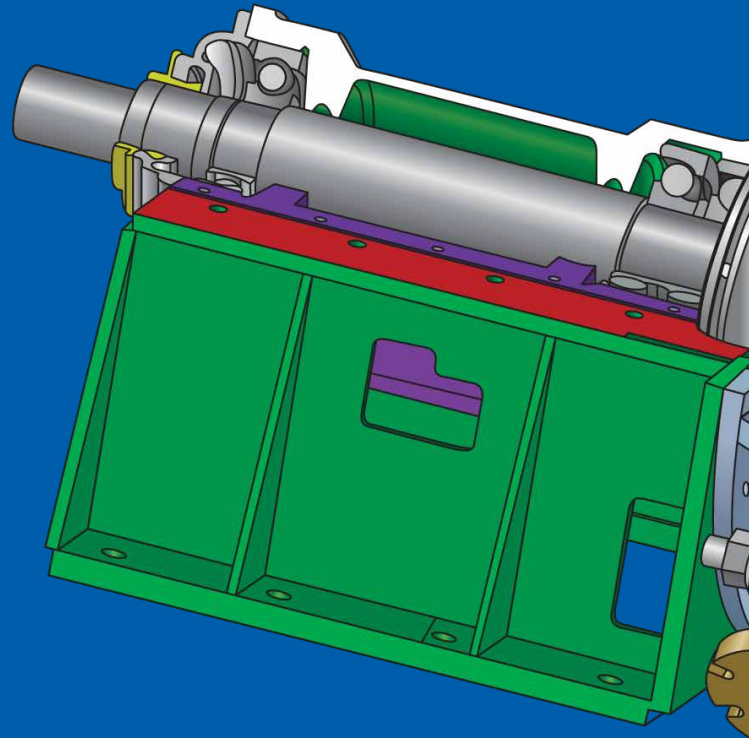
RXL RANGE

RX (Back Suction Horizontal Pump)

RX back suction horizontal pump is a medium flow and high pressure pump with a duty up to 90m and an efficiency of 70%. This RX model can be connected in series up to three pumps in series to achieve up to 270m head.

The RX range comes in a low pressure pump and a high pressure pump. The RX pump range can handle solids from 19mm to 73mm can be handled. Suction cover and end cover liners protect casing from abrasive wear. Due to rear suction construction, the stuffing box is only subject to suction pressure.

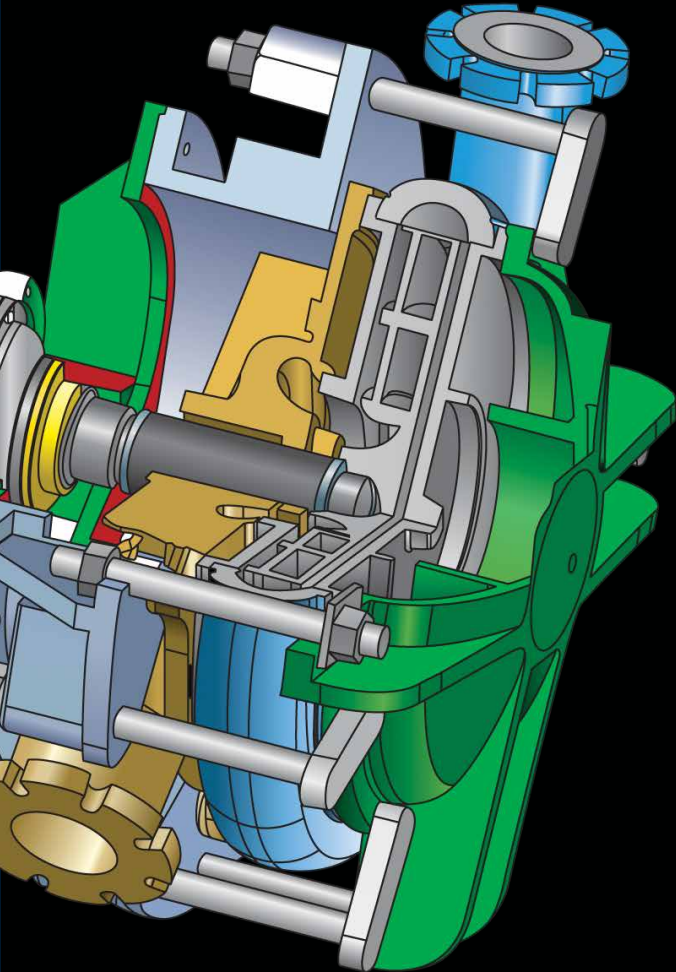
The casing and impeller is design with extra thick wall sections at wear points for extended life. The impeller has front pump out vanes to reduce wear on the suction liner.



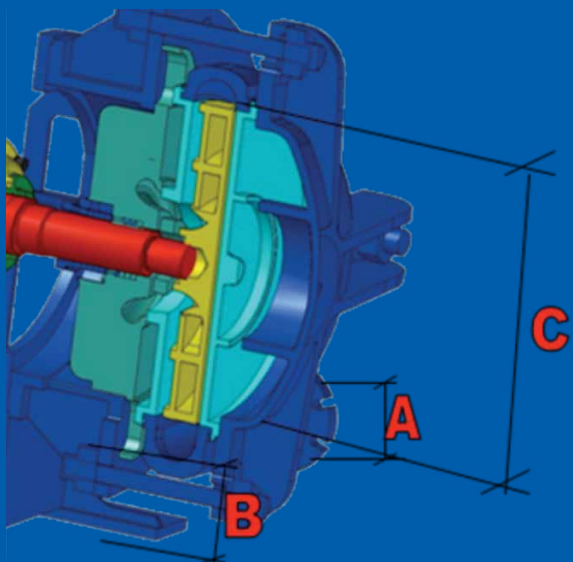
Solids ranging from 19mm to 73mm can be handled. Bearings are selected for a minimum B -10 life of 24,000 hours at maximum speed & impeller diameter. Lubrication of bearings are grease as standard, with oil lubrication available as optional extra. Shaft sleeve fit and impeller hub thread are sealed from pumping media for extended sleeve life.

Casing clamp construction and back suction design facilitates easy part replacement without dismantling suction and discharge piping.

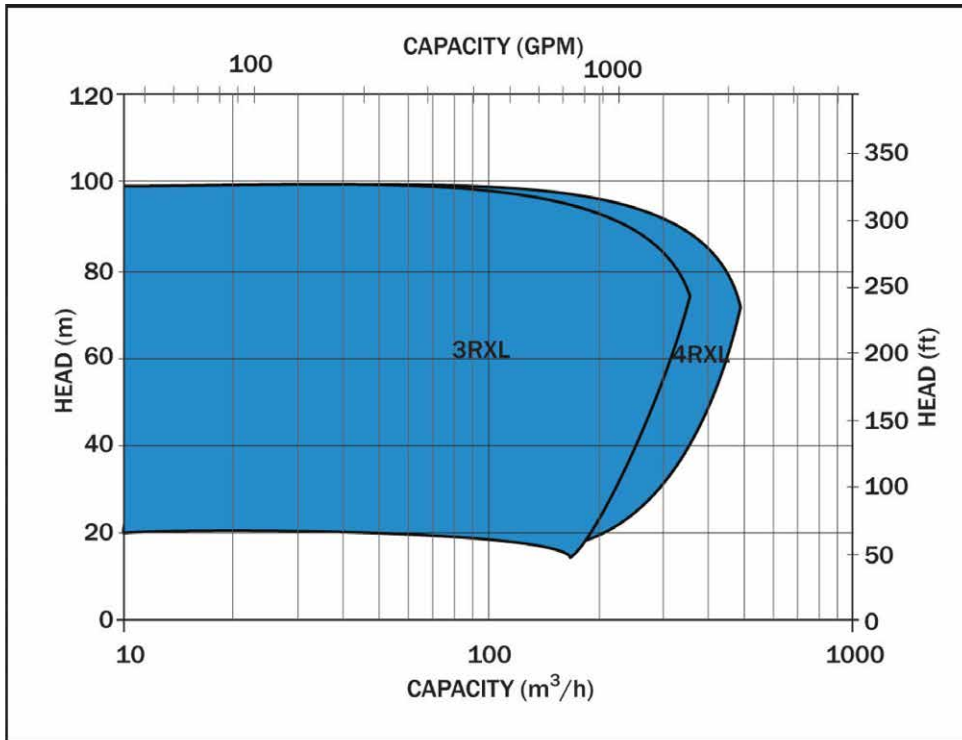
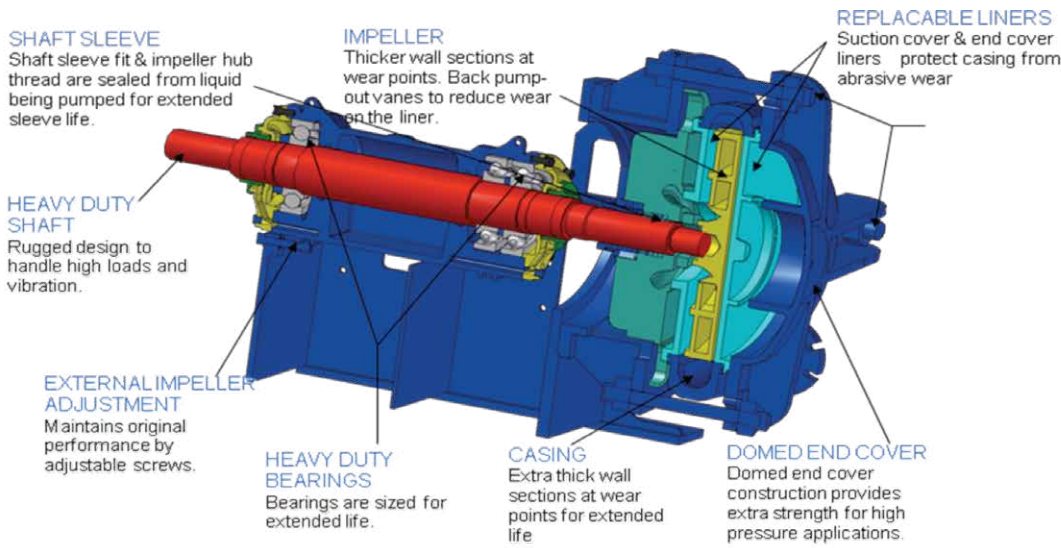
RXL RANGE



The wet end is manufactured with cast chrome iron CR28% material as standard for increased wear life. The RX range can handle S.G up to 1.3. The RX range can be used in Fly ash, Soda ash, Pot ash and many more applications.



A	B	C
Discharge	Suction	Impeller
3"	5"	25"
4"	5"	25"



becker[®]
MINING SYSTEMS

Tel +27 (0) 11 617 6300
Fax +27 (0) 11 908 5806

Becker Mining South Africa
4 Clarke Street North,
Alrode, Alberton
1451

info@za.becker-mining.com
www.za.becker-mining.com